



Ruggedized, Fanless DC Computer for Marine Use

MPC-2000

The MPC-2000 is a high performance marinized computer designed for ship-board use in all weather conditions up to Sea State 5. The high performance 2.0 GHz. Core2Duo® mobile CPU is built for fanless operation, low power/heat and low maintenance. Designed for high shock and vibration and wide variations in operating temperature, the non-ventilated enclosure eliminates dirt and salt air drawn in by fan-cooled units. The MPC-2000 is designed to be bolted down where ever it is convenient for operation in a vessel. The MPC-2000 is user friendly, running Microsoft Windows7, XP® Professional, Linux and other operating systems. It offers standard I/O including 4-RS-232 serial ports, 4-USB ports, dual RJ-45 fast ethernet and VGA monitor or S-Video, and offers expansion via PCMCIA, PCI and PCI-E slots. The MPC-2000 is designed to be powered directly from any 9-30 VDC source. The MPC-2000 has an all aluminum enclosure yet it is rated to operate from -15° to +55°C (5° to 131°F) and it is extremely compact, taking only 9.37" x 8.43" x 4.10". Connections are made to the computer via standard computer connectors for interoperability and convenience. Available options include solid state HD, 2GB RAM and external AC power adapter.



Front



Rear

Standard Features

- Intel® 2.0 GHz. Core2Duo Processor.
- 160 GB SATA Hard Drive, Upgradable to 250 GB.
- Optional 64 or 128 GB Solid State Sealed Hard Drive.
- 1 GB DDRII 533MHz. RAM Memory.
- Intel 945GME Express Video Chipset.
- Dual 10/100/1000 Ethernet.
- 4 - Serial Ports.
- 4 - USB 2.0 Ports.
- WindowsXP Pro Operating System.
- AC 97 Audio Codec, Line In, MIC In, Line Out.
- Fanless Non-Corrosive Aluminum Sealed Case.
- Option Slots: 1 - PCMCIA, 1 - PCI and 1 - PCI-E.
- 9-30 VDC Power Input.
- Super-compact 9.37" x 8.43" x 4.10", 12.4 lb.



Ruggedized, Fanless
DC Computer
 for Marine Use

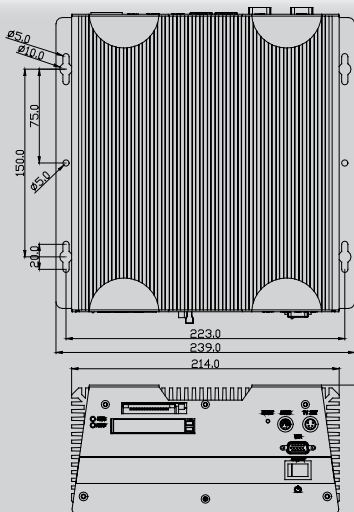
MPC-2000

Specifications

- **CPU** Intel PentiumM® 2.0 GHz. Intel Core2Duo T7200 Processor with 4 MB L2 Cache
- **Operating System** Windows7, WindowsXP® Professional, Linux
- **Hard Drive** 160 GB 2.5" Industrial Grade SATA, Optional 250 GB or 500 GB, Optional 64 or 128 GB Solid State
- **Memory** 1 GB DDR2 533MHz., Upgradable to 2 GB
- **Video Chipset** Intel 945GME with GMA950 and ICH7-M
- **PC Card/Compcat Flash** 1 - PCMCIA Type I/II, 1 - Compact Flash
- **Expansion** 1 - PCI-E, 1 - PCI Slots
- **I/O Ports** 4 - USB 2.0, 3 - RS-232, 1 - RS-232/422/485, 1 - PS/2 KM Port
- **Audio** AC 97 Audio Codec
- **Monitor Support** Standard VGA (RGB) Resolutions supported up to and including SXGA (1280x1024)
- **Networking** 2 - RJ-45 10/100/1000 Base T Ethernet
- **Mounting** Slotted mounting brackets
- **Weight** 5.63 kg / 12.4 lbs.
- **Power** 43 Watts Nominal
- **Environmental**

	Operating	Non-Operating
Temperature (Air Ambient)	-15°C to 55°C (5°F to 131°F)	-20°C to 70°C (-4°F to 158°F)
Relative Humidity	5% to 90% (@40°C) non-condensing	
- **Electrical**

Input	9-30 VDC Internal	120/240 VAC (External Adapter)
Frequency	DC Input	45 – 75 Hz
- **Standards** CE, FCC Class A Part 15



Basic Case Dimensions: 9.37"L x 8.43"W x 4.10"H

