



Professional Grade Waterproof Ultrabright LED Computer Monitor

MPC-AWMRL

The AWMRL Professional Series is a marine grade flat panel Active Matrix LCD Monitor designed for extremely rugged use where the case must be fully sealed from water, oil, dirt and other contaminants. The AWMRL is available in 8.4", 10.4", 12.1" and 15.0" sizes and is fully sunlight readable for use in virtually any environment. The LED backlight delivers 1,000 nits of full sunlight readability, yet dims to ~ 1 nit for use on moonless nights. The front mounted video display and dimming control adjusts the display qualities and brightness from max to super-dim for optimal operator viewing clarity and comfort in any lighting condition. The AWMRL connects to any standard PC through the VGA output. The AWMRL receives its video signals through a sealed 10 ft. cable. The native resolution is SVGA 800x600 (XGA 1024x768 for the 15"), but the 10.4" and 12.1" are optionally upgradable to XGA native. In any case, the AWMRL will auto-scale any standard 4:3 input resolution to fit full screen. The optional touch screen will operate perfectly even in the wettest conditions. The normal operating temperature range is -40 to 70°C (-40 to 158°F) without heaters. The precision milled aluminum case is the smallest possible allowing mounting where others can't fit. Our sealed construction eliminates fogging yet it looks great and will give years of service with the roughest handling. Mounting is accomplished via a shock resistant adjustable ball mount, or ordered with the optional flush bezel. Common applications include primary display or repeater from a computer, chart plotter, blackbox radar or sounder or weather computer and remotely located in an open flybridge, nav station or fishing tower, or mounted on the bridge or in the cockpit of a sailboat.



RAM Mount



Standard Features

- **Completely Sealed Case Rated IP67 Watertight.**
- **8.4", 10.4", 12.1" or 15" Color TFT AMLCD.**
- **SVGA(800x600) or XGA(1024x768) Native Resolution.**
- **Standard RGB Video from any Computer.**
- **~1,000 nit Sunlight Viewable Dimmable to ~1 nit.**
- **Exceptional Temperature Range: -40 to +70°C.**
- **RAM Shock Resistant Adjustable Ball Mount.**
- **Thin Profile Black Anodized Aluminum Case.**
- **Optional Flush Bezel for Console Mounting.**
- **Powered from 8-30 VDC or 120/240 VAC.**
- **Anti-Reflective Glass or Optional Touchscreen.**
- **10 Ft. (3m.) Power and Video Cables Included.**

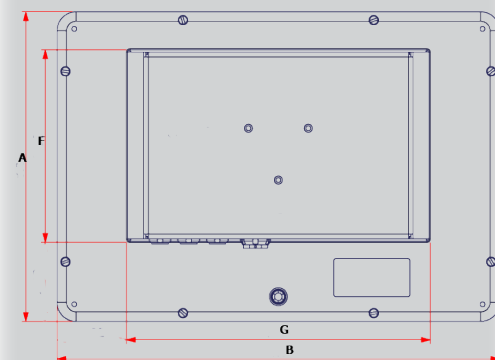
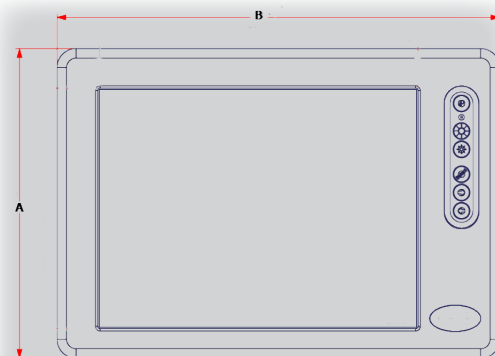


Professional Grade
Waterproof Ultrabright LED
Computer Monitor

MPC-AWMRL

Specifications

<ul style="list-style-type: none"> ■ Display ■ Brightness ■ Video Input ■ Touchscreen (Optional) ■ Cables ■ Connector ■ USB Connector (Optional) ■ Housing ■ Mounting ■ Weight ■ Power ■ Environmental ■ Electrical ■ MTBF (approx.) ■ Standards 	<p>AM-TFT LCD: 8.4", 10.4", 12.1" - 800x600, 15.0" - 1024x768 Optional XGA 1024x768 for 10.4" and 12.1" Only ~1,000 nits LCD Backlight, Dimmable to ~1 for Night Operation RGB VGA Video from Any Standard Computer, 4:3 Autoscaling Analog Resistive, 1024x1024 Resolution, Serial Cable Included Power - 10 Ft. (3m.) Sealed Cable, Flying Leads (DC only) Video - 10 Ft. (3m.) Sealed Cable, Standard Mini-DIN DB-15 Male Multi-Conductor Sealed Push-On, Pull-Off Retained Connector Single USB 1.1 Pass-Through Pigtail at Rear of Unit NEMA 6P/IP67 Rated Outdoor Weatherproof and Waterproof Main Case Black Anodized/Clear Coated Milled Aluminum Billet Powder Coated Aluminum Pod, All Stainless Steel Hardware RAM Adjustable Shock Resistant Ball Surface Mount Optional Flush Mount Bezel (Adds 0.45" Flange All Sides)</p> <p>Min: 6 watts Max: 8.4", 10.4", 12.1" - 17 Watts, 15" - 35 Watts</p> <table border="0"> <tr> <td>Operating</td> <td>Non-Operating</td> </tr> <tr> <td>Temperature (Air Ambient) -40°C to 70°C (-40 to 158°F)</td> <td>-40°C to 75°C (-40°F to 167°F)</td> </tr> <tr> <td>Relative Humidity 0% to 100%</td> <td></td> </tr> <tr> <td>Shock 50 G</td> <td>50 G</td> </tr> <tr> <td>Vibration (@ 5-500 Hz sine sweep) 5.8 G</td> <td>5.8 G</td> </tr> </table> <p>8-30 VDC Internal DC Input 120/240 VAC (External Adapter) 45 – 75 Hz</p> <p>50,000 Hrs.</p> <p>CE, FCC Class A, Part 15</p>	Operating	Non-Operating	Temperature (Air Ambient) -40°C to 70°C (-40 to 158°F)	-40°C to 75°C (-40°F to 167°F)	Relative Humidity 0% to 100%		Shock 50 G	50 G	Vibration (@ 5-500 Hz sine sweep) 5.8 G	5.8 G
Operating	Non-Operating										
Temperature (Air Ambient) -40°C to 70°C (-40 to 158°F)	-40°C to 75°C (-40°F to 167°F)										
Relative Humidity 0% to 100%											
Shock 50 G	50 G										
Vibration (@ 5-500 Hz sine sweep) 5.8 G	5.8 G										



Dim Model	A	B	C	D	E	F	G
AWM8	6.90" 175mm	9.90" 251mm	1.13" 29mm	2.25" 57mm	1.12" 28mm	5.11" 130mm	8.04" 204mm
AWM10	8.13" 207mm	11.60" 295mm	1.05" 27mm	2.18" 55mm	1.12" 28mm	5.11" 130mm	8.04" 204mm
AWM12	9.20" 234mm	13.00" 330mm	1.05" 27mm	2.18" 55mm	1.12" 28mm	5.11" 130mm	8.04" 204mm
AWM15	11.0" 279mm	14.86" 377mm	1.05" 27mm	2.18" 55mm	1.12" 28mm	5.11" 130mm	8.04" 204mm