



Military Grade Extreme Duty Video Monitor and Digital Video Recorder

MPC-ML10DVR

The MPC-ML10DVR Series is a marine grade flat panel Active Matrix LCD Monitor with Integrated Digital Video Recorder designed for rugged use where environmental conditions and operational reliability are beyond normal limits. The MPC-ML10DVR is designed to meet applicable military standards MIL-STD-810F, MIL-STD-461E and others, yet is cost effective for commercial use. The MPC-ML10DVR has an extremely bright 10.4" ~1,000 nit LED backlit display for use full sunlight but dimmable to about 1 nit for use on dark nights or with NVG's without destroying the user's night vision. This results in the maximum in readability under any conditions. Front mounted display setup and dimming control adjusts the display qualities and brightness with pushbutton simplicity, as well as providing real-time record-playback controls for the DVR. The MPC-ML10DVR connects to any RS-170 video source such as NTSC or PAL composite video from natural light, light amplified and thermal imaging cameras. Fully sealed MIL-C circular connectors on the rear allows for connection to a custom cable or to our standard 3m. power/video cable (ordered separately). A separate circular MIL connector connects via USB for external download of stored video data. The DVR records at 30fps at 24-bit resolution for up to 8 hours of continuous recording, creating any number of .wmv files (.avi optional) for playback or download. The normal operating temperature range of -40 to +70°C (-40 to 158°F) is achieved without heaters. The precision milled aluminum case is the smallest possible allowing mounting where others can't fit. Our sealed construction eliminates fogging and give years of service with the roughest handling. Mounting is accomplished via a shock resistant adjustable ball mount (surface mount or flush bezel optional). Common applications include boarding/event video capture and underwater and surface inspection/investigation. The MPC-ML10DVR can be used in an open unprotected station, and with the RAM mount is easily and quickly removable from the vessel.



Standard Features

- **Completely Sealed Case Rated IP67 Watertight.**
- **Designed to Meet MIL-STD-810F, 461E and others.**
- **10.4" SVGA (800x600) Color TFT AMLCD.**
- **~1,000 nit Ultra-Bright LED Backlighting.**
- **Dimmable Down to ~1 nit with last step Off.**
- **Standard RS-170 NTSC or PAL Composite Video.**
- **Extreme Temperature Range: -40to70°C (-40to158F).**
- **Extended Shock, Vibe and Lifecycle Withstand.**
- **RAM Shock Resistant Adjustable Ball Mount.**
- **Integrated DVR with 24-bit 30 fps capture.**
- **8GB Solid-State Storage using MPEG-4 Compression.**
- **Anti-Reflective Protective Glass.**
- **Time Stamping to 1/100th second.**
- **Powered from 10-36 VDC, 20 watts Maximum.**
- **Custom Power/Video and Data Cables Available.**

WWW.MARINEPC.COM



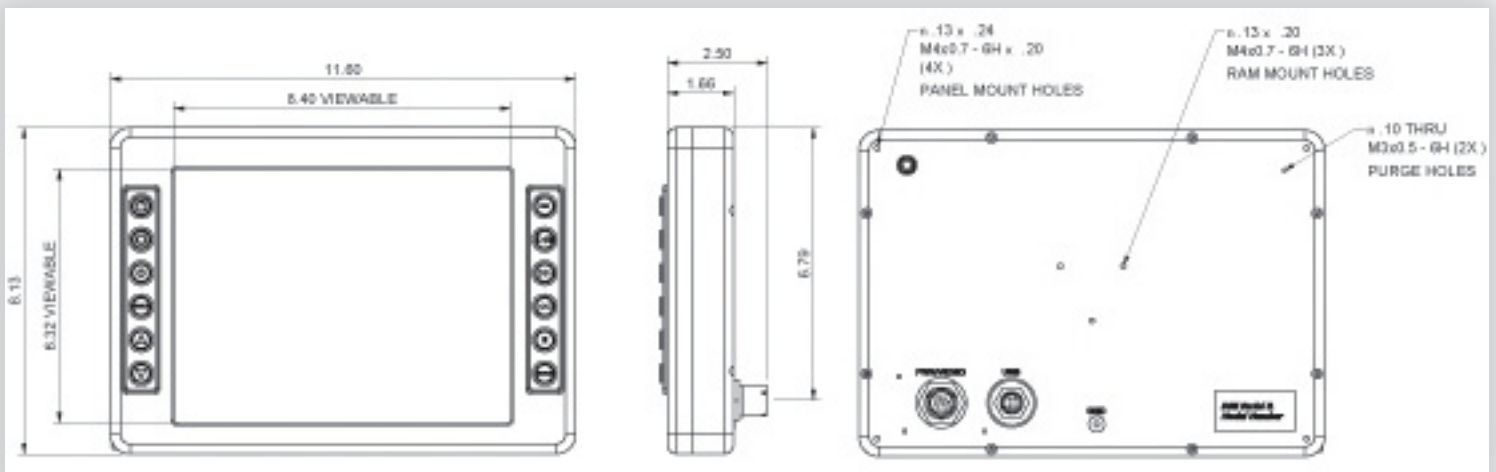
Military Grade Extreme Duty Video Monitor and Digital Video Recorder

MPC-ML10DVR

Specifications

- **Display** 10.4" Active Matrix TFT LCD SVGA (800x600) Native Resolution
- **Brightness/Contrast** ~1,000 nits LED Backlit without increased power, Dimmable to ~1 nit, 1000:1 Contrast Ratio
- **Video Input/Outputs** RS-170 NTSC or PAL Composite Video, 3 - Inputs, 1 - Output
- **DVR Function** Start/Stop, Play/Pause, Fast Forward/Reverse, Capture Rate of 24-bit @ 30fps
- **Video File Storage** 8 GB Solid State Storage for 8 hours, Optional 32 GB extended recording storage. External USB for Download.
- **Data Transfer** Time Stamping (1/100 second), MPEG-4 / H.264 Compression, .wmv file format (.avi optional).
No limit to file size and number of files.
- **Cables (Order Separately)** Power/Video Cable, Flying Leads, 3-BNC-F, 1-BNC-M, Data cable - USB Std. Length - 3m (10ft.), Custom Lengths Avail.
- **Connector** MIL-DTL-38999 (Power and Video Combined)
- **Housing** MIL-PRF-22750F, NEMA 6P/IP67 Rated Outdoor Weatherproof and Watertight, Main Case Black Anodized/Clear Coated Milled Aluminum Billet, All Stainless Steel Hardware
- **Mounting** RAM Adjustable Shock Resistant Ball or Surface Mount Stud Kit, Optional Flush Bezel (Adds 0.45" Front Flange All Sides)
- **Weight** 3.6 kg / 8 lbs.
- **Power Supply** MIL-STD-1275D Wide Range DC Input (10-36 VDC), Nominal Operating Voltages 12, 24, 28 VDC
- **Power Consumption** Min: 6 watts Max: 20 Watts
- **Environmental (MIL-STD-810F)**

	Operating	Non-Operating
Temp. (Method 501.4 & 502.4)	-40°C to 70°C (-40°F to 158°F)	-40°C to 75°C (-40°F to 167°F)
Vibration (Method 528)	5.8 G	5.8 G
Shock (Method 516.5)	50 G	50 G
Relative Humidity (Method 507.4)	0% to 100%	0% to 100%
- **EMI/RFI** MIL-STD-461E (Selected ranges)
- **MTBF** 50,000 Hrs. (est.)



(Note: MPC-ML products are designed to meet a broad range of MIL-STD's. Consult factory for current list of Certified Test results.)