



Military Grade Extreme Duty Waterproof Ultrabright Video Monitor

MPC-MLV

The MPC-MLV Series is a Military Grade marine flat panel Active Matrix LCD Monitor designed for rugged use where environmental conditions and operational reliability are beyond normal limits. The MPC-MLV is designed to meet applicable military standards MIL-STD-810G, MIL-STD-461E and others. The MPC-MLV is available in 8.4", 10.4", 12.1" and 15.0" sizes and has an extremely bright 1,000+ nit display for use full sunlight but dimmable to about 1 nit for use on blackout nights without destroying the user's night vision. This results in the maximum in readability under any conditions. Front mounted display setup and dimming control adjusts the display qualities and brightness with pushbutton simplicity. The MPC-MLV connects to any RS-170 video source such as NTSC or PAL composite video. A single fully sealed MIL-C circular connector on the rear allows for connection to a custom cable or to our standard 3m. power/video cable (ordered separately). The connector and cable contain both the power and the video connection. The AWMV has a front mounted source button to allow sequential display of all sources connected. Any other input can be selected for display with the built-in Picture-in-Picture feature. The normal operating temperature range of -40 to 70°C (-40 to 158°F) is accomplished without heaters. The precision milled aluminum case is the smallest possible allowing mounting where others can't fit. Our sealed construction eliminates fogging and will normally give years of service with the roughest handling. Mounting is accomplished via a shock resistant adjustable ball mount, surface mount with rear studs, or ordered with the optional flush bezel. Common applications include primary display for thermal imaging cameras, light amplified or image enhanced cameras, underwater cameras, DVR's, boarding/event capture cameras, and can be remotely located in an open unprotected station.



Standard Features

- Completely Sealed Case Rated IP67 Watertight.
- Designed to Meet MIL-STD-810G, 461E, others.
- 8.4", 10.4", 12.1" or 15" Color TFT AMLCD.
- SVGA(800x600) Native LCD Resolution (15" is 1024x768).
- Standard RS-170 Composite Video (NTSC or PAL).
- 1,000+ nit Ultra-Bright Dimmable to ~1 nit.
- Extreme Temperature Range: -40to70°C (-40to158F).
- High Shock, Vibration and Lifecycle Withstand.
- RAM Shock Resistant Adjustable Ball Mount.
- Thin Profile Black Anodized Aluminum Case.
- Optional Flush Bezel for Console Mounting.
- Powered from 8-36 VDC.
- Anti-Reflective Glass.
- 10 Ft. (3m.) Power/Video Cable Available.

WWW.MARINEPC.COM



Military Grade Extreme Duty
Waterproof Ultrabright
Video Monitor

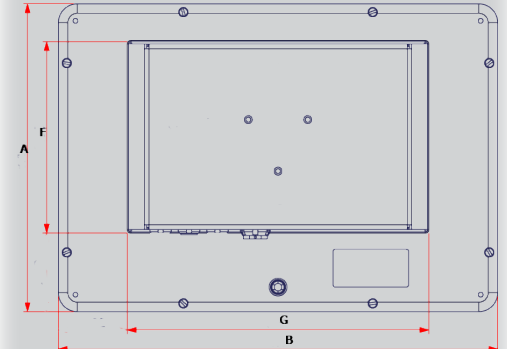
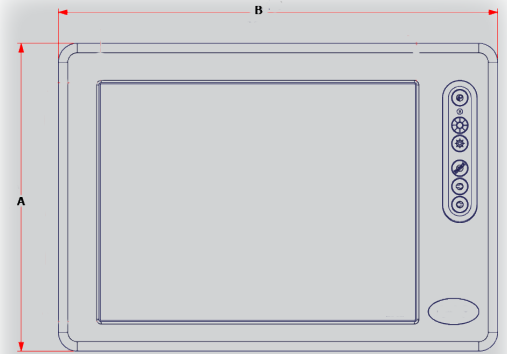
MPC-MLV

Specifications

- **Display** Active Matrix TFT LCD: 8.4", 10.4", 12.1" SVGA 800x600 - 15" XGA 1024x768
- **Brightness** 1,000+ nits without increased power, Dimmable to <1 nit
- **Video Input** RS-170 NTSC or PAL Composite Video
- **Display BIOS** Source Button Select Primary, OSD Select Picture-in-Picture
- **Cable (Order Separately)** Power - 10 Ft. (3m.) Sealed Cable, Flying Leads (DC only), BNC-F
- **Connector** MIL-DTL-38999 (Power and Video Combined)
- **Housing** MIL-PRF-22750F
NEMA 6P/IP67 Rated Outdoor Weatherproof and Watertight
Main Case Black Anodized/Clear Coated Milled Aluminum Billet
Powder Coated Aluminum Pod, All Stainless Steel Hardware
RAM Adjustable Shock Resistant Ball or Surface Mount Stud Kit
Optional Flush Mount Bezel (Adds 0.45" Front Flange All Sides)
- **Mounting**
- **Weight**

8.4"	3.0 kg / 6.6 lbs.
10.4"	3.5 kg / 7.7 lbs.
12.1"	4.1 kg / 9.0 lbs.
15.0"	5.0 kg / 11 lbs.
- **Power Supply** MIL-STD-1275D Wide Range DC Input (10-36 VDC)
Nominal Operating Voltages 12, 24, 28, 32 VDC
- **Power Consumption** Min: 6 watts Max: 8.4", 10.4", 12.1" - 17 Watts, 15" - 35 Watts
- **Environmental** MIL-STD-810G

	Operating	Non-Operating
Temp. Method 501.4 & 502.4	-40°C to 70°C (-40°F to 158°F)	-40°C to 75°C (-40°F to 167°F)
Relative Humidity	0% to 100%	Method 507.4
Shock	50 G	50 G Method 516.5
Vibration @ 5-500 Hz sine sweep)	5.8 G	5.8 G Method 528
- **EMI/RFI** MIL-STD-461E (Select Ranges)
- **MTBF** 50,000 Hrs. (est.)



Dim Model	A	B	C	D	E	F	G
ML8V	6.90" 175mm	9.90" 251mm	1.10" 28mm	2.50" 64mm	1.40" 36mm	5.11" 130mm	8.04" 204mm
ML10V	8.13" 207mm	11.60" 295mm	1.10" 28mm	2.50" 64mm	1.40" 36mm	5.11" 130mm	8.04" 204mm
ML12V	9.20" 234mm	13.00" 330mm	1.20" 30mm	2.60" 66mm	1.40" 36mm	5.11" 130mm	8.04" 204mm
ML15V	11.0" 279mm	14.86" 377mm	1.20" 30mm	2.60" 66mm	1.40" 36mm	5.11" 130mm	8.04" 204mm

(Note: MPC-ML products are designed to meet a broad range of MIL-STD's. Consult factory for current list of Certified Test results.)